

OT FIT 30/220-240/12 P (NEW)

CV Power supplies 12 V



Product family features

Product family benefits

- Versatile scope of application due to output power range of up to 300 W
- Very high efficiency
- IP rating: up to IP66/IP67
- High surge protection: up to 6 kV (L-N) / 6 kV (L/N-PE)

Areas of application

- Suitable for indoor and outdoor installations
- Ideal for mounting in very tight spaces

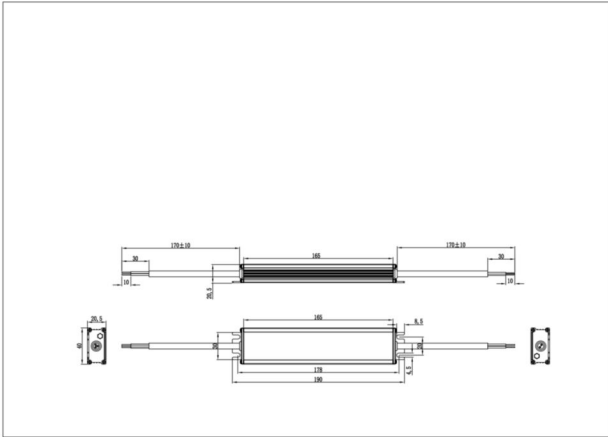
Technical data

Electrical data

Nominal input voltage	220...240 V
Mains frequency	50/60 Hz
Input voltage AC	198...264 V
Total harmonic distortion	< 15 %
Power factor λ	0.80C...0.95
Efficiency in full-load	84 % ¹⁾
Device power loss	5.7 W
Inrush current	25 A
Max. ECG no. on circuit breaker 10 A (B)	22
Max. ECG no. on circuit breaker 16 A (B)	35
Surge capability (L/N-Ground)	6 kV
Surge capability (L-N)	6 kV
Nominal output voltage	12 V
U-OUT (working voltage)	13 V
Nominal output power	30 W
Maximum output power	30 W
Galvanic isolation	SELV

1) at 230 V, 50 Hz

Dimensions & weight



Length	190.0 mm
Width	40.0 mm
Height	20.5 mm
Mounting hole spacing, length	178.0 mm
Mounting hole spacing, width	20.0 mm
Cable cross-section, input side	1.0 mm ²
Cable cross-section, output side	1.0 mm ²
Wire preparation length, input side	30.0 mm
Wire preparation length, output side	30.0 mm
Product weight	310.00 g

Colors & materials

Casing material	Metal
Product color	White

Temperatures & operating conditions

Ambient temperature range	-25...+55 °C
Maximum temperature at tc test point	80 °C
Max.housing temperature in case of fault	110 °C
Temperature range at storage	-35...85 °C
Permitted rel. humidity during operation	5...85 % ¹⁾

1) Maximum 56 days/year at 85 %

Lifespan

ECG lifetime	50000 h
--------------	---------

Additional product data

Successor EAN	6977770438675
Predecessor EAN	4052899905542

Capabilities

Dimmable	No
Max. cable length to lamp/LED module	3.0 m ¹⁾
Suitable for fixtures with prot. class	I
Type of connection, input side	Wires
Type of connection, output side	Wires
Number of channels	1
Overheating protection	Automatic reversible
Overload protection	Automatic reversible
Short-circuit protection	Automatic reversible
Intended for no-load operation	No
Suitable for no-load mode operat	Yes

1) Output wires must be routed as close as possible to each other

Certificates & standards

Approval marks – approval	CE / VDE-ENEC / UKCA
Standards	Acc. to EN 61347-1 / Acc. to EN 61347-2-13 / Acc. to EN 55015 / Acc. to EN 61547 / Acc. to EN 61000-3-2 / Acc. to EN 61000-3-3
Type of protection	IP67

Logistical data

Commodity code	85044083900
----------------	-------------

Environmental information

Information according Art. 33 of EU Regulation (EC) 1907/2006 (REACH)	
Date of Declaration	01-11-2024
Primary Article Identifier	4062172392570 6977770438675
Candidate List Substance 1	Lead
CAS No. of substance 1	7439-92-1
Safe Use Instruction	The identification of the Candidate List substance is sufficient to allow safe use of the article.
Declaration No. in SCIP database	d4562a74-5975-4ecd-b58c-6e1b6d71b4a7
SCIP_STATUS	In work
SCIP_ID	

Ecodesign regulation information:

Intended for use with LED modules.

The forward voltage of the LED light source shall be within the defined operating window of the control gear in all operating conditions including dimming if applicable.

Separate control gear and light sources must be disposed of at certified disposal companies in accordance with Directive 2012/19/EU (WEEE) in the EU and with Waste Electrical and Electronic Equipment (WEEE) Regulations 2013 in the UK. For this purpose, collection points for recycling centres and take-back systems (CRSO) are available from retailers or private disposal companies, which accept separate control gear and light sources free of charge. In this way, raw materials are conserved and materials are recycled.

Download Data

File		
Product Datasheet	PDF	▶ OT FIT 30W 12V TDS 120924
CAD data	Compressed	▶ OT FIT 30W 12V STEP 120924
Mandatory Publications	PDF	▶ OT FIT 12P CE 4192443 06 160824
Mandatory Publications	PDF	▶ OT FIT P UKD 4281103 03 160824
User instruction	PDF	▶ 15129514_UI_OT_FIT_30_220_240_12P_50x1_MiCh_03 (1)

Logistical Data

Product code	Product description	Packaging unit (Pieces/Unit)	Dimensions (length x width x height)	Volume	Gross weight
4062172392570	OT FIT 30/220-240/12 P	Shipping carton box 50 Pieces	260 x 243 x 364 mm	23.00 dm ³	324.00 g

The mentioned product code describes the smallest quantity unit which can be ordered. One shipping unit can contain one or more single products. When placing an order, for the quantity please enter single or multiples of a shipping unit

Disclaimer

Subject to change without notice. Errors and omission excepted. Always make sure to use the most recent release.